

# VERONA

LOW-TEMPERATURE CABINET



Efficient use  
of retail space

## LOW-TEMPERATURE CABINET

### Efficient use of retail space



The ideal solution for effective demonstration of a wide range of frozen products — semi-finished meat products, fruit and vegetable products, desserts and ice cream, fish and seafood.



Designed for installation in stores of any format — «at home», in markets, cafes, gas stations, super and hypermarkets.



The location of the superstructure above the freezer chest allows you to present products as profitably as possible without using additional retail space.



The display at the buyer's eye level affects the activation of the corresponding human receptors, prompting him to make a purchase.

- ◆ Increase in the volume of product layout (compared to the volume of the chest layout)
- ◆ Saving of retail space «by floor» (the VERONA cabinet is located above the chest)
- ◆ Product placement at the buyer's eye level (sales increase by 30-45%)

# LOW-TEMPERATURE CABINET

Efficient use of retail space



Eco-friendly  
refrigerant  
R290



Energy saving



Temperature  
stability



4 levels of shelves  
3 latticed  
+ base shelf



Effective layout

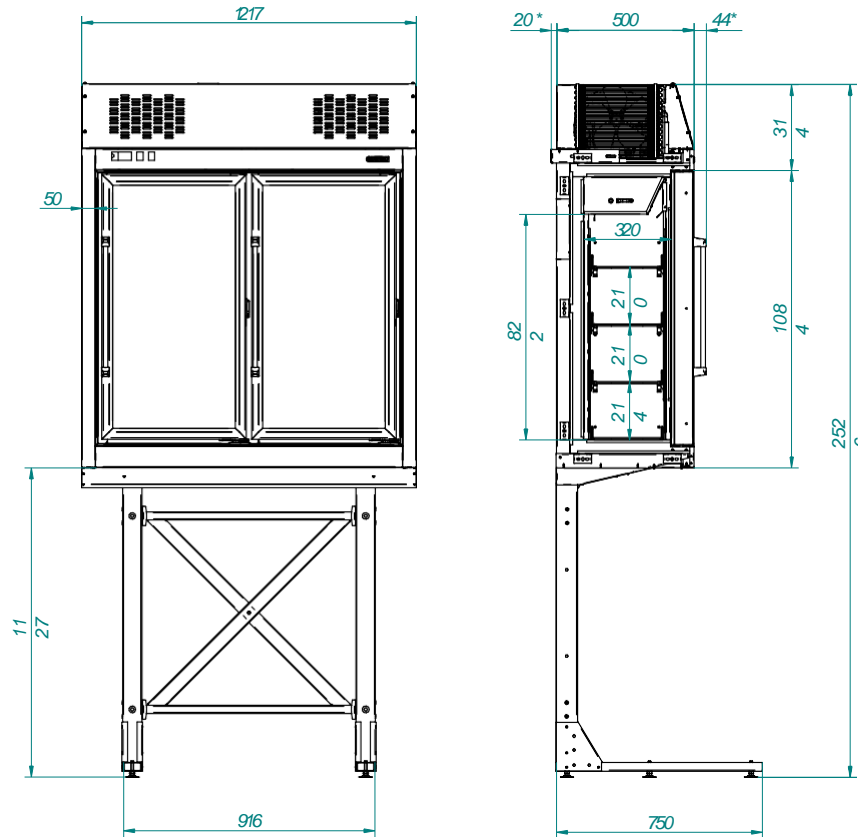
The equipment runs on eco-friendly refrigerant R290 – a guarantee of high cooling capacity at a low level of electricity consumption.

Stable maintenance of the internal volume temperature ensures perfect pre-sale storage of products of different product categories.

Mounted lattice shelves with optimal floor spacing create the best distribution of air flows inside the working chamber.

# LOW-TEMPERATURE CABINET

Efficient use of retail space



Overall dimensions (L/W/H), mm	Overall dimensions for the layout (L/ W/ H), mm	Exhibition area, sq.m
1217x750x2526	1097x320x822	1,40
Useful volume, cub.m	Shelf depth, mm	Temperature mode, °C
0,29	320	-23...-18
Refrigerant	Type of lighting	Energy consumption, kWh/day
R290 (propane)	LED	21

In agreement with the customer, the equipment can be supplied without filling with refrigerant. In this case, the operability of the equipment is tested with a refrigerant, in accordance with the current standards of the enterprise.



Embraco refrigeration unit



Dynamic cooling



LED backlight



Reliable vaporizer



# EQUIPMENT BRANDING

individual design of the retail space

The VERONA low-temperature cabinet and/or freezer chest can be branded with colorful images.

Branding gives the equipment an individual style, attracting additional attention to the products.

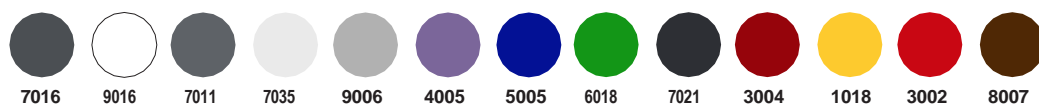
The design of the equipment is ideal for simple application of branded images on it.



## Variety of color solutions

At the request of the customer, the case of the VERONA cabinet and the freezer chest can be painted in any color according to the RAL palette - in standard or individual design. Thus, ITALFROST freezing equipment looks harmoniously in the sales halls of any design trends.

Standard color scheme according to RAL



**Ozerskaya Industrial Company**

Lenin str. 209  
Ozery, 140563

**+7 (495) 987 43 88**

[info@cryspi.ru](mailto:info@cryspi.ru)  
[cryspi.ru](http://cryspi.ru)

